



Ice Machine Parts List for Series S500 Models

SD0502A

SY0504A

SD0503W

SY0505W

SD0592N

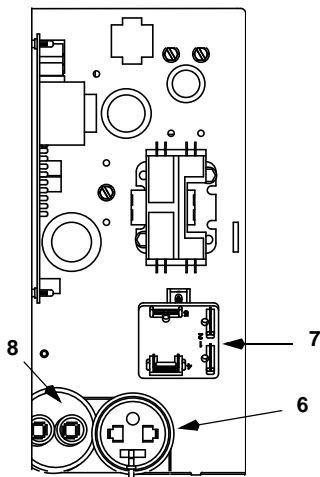
SY0594N

SR0500A

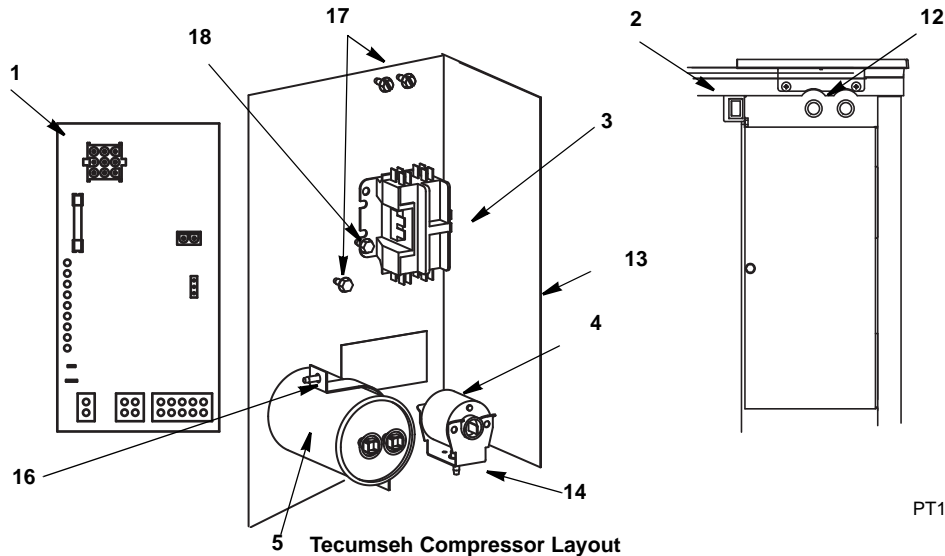
SR0501W

SR0590N

S500 CONTROL BOX



Danfoss Compressor Layout



Tecumseh Compressor Layout

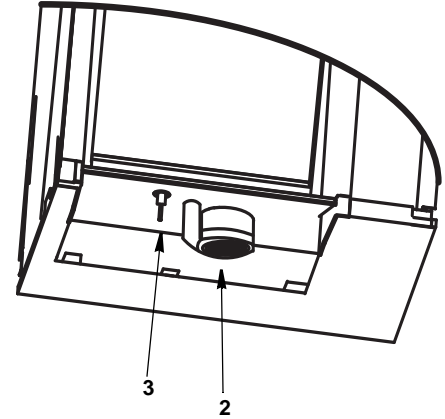
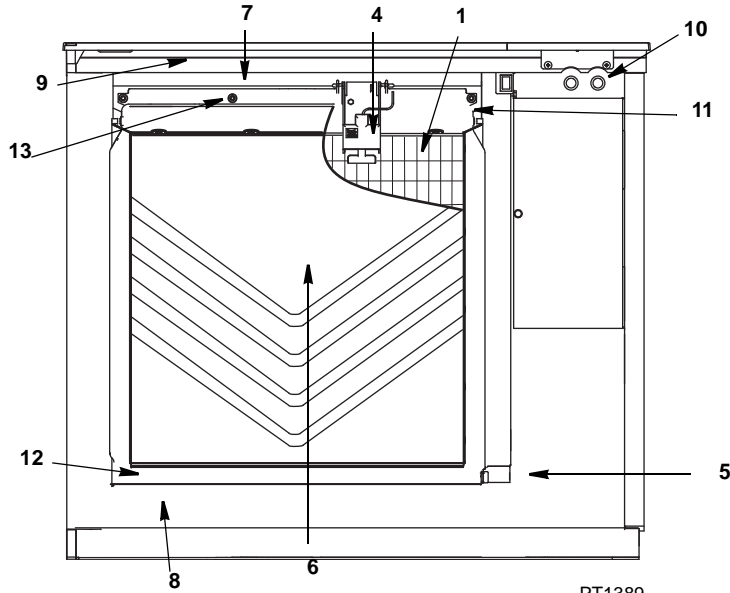
PT1388

DESCRIPTION

NOTE: Replace a Tecumseh compressor/start components with a Tecumseh compressor/start components and a Danfoss compressor/start components with a Danfoss compressor/start components.
DO NOT INTERCHANGE COMPRESSORS OR START COMPONENTS.

		PART NO.
1	Control Board (for use with all voltages)	20-0619-9
a.	7 Amp Fuse – Mounted on Control Board.	25-1100-3
2	Toggle Switch Only	20-0793-9
a.	Toggle Switch Wiring Harness	20-0807-9
b.	Toggle Switch Box	40-1163-9
3	Contactor	
a.	115V/60 Hz/1 Ph.	20-0658-9
b.	208-230V/60 Hz/1 Ph or 230V/50 Hz/1 Ph	20-0659-9
	P.T.C.R. Compressor Starter Tecumseh Compressor Only	85-0500-3
4	Tecumseh Compressor Run Capacitor (Before Serial Number 110074051)	
a.	115V/60 Hz/1 Ph.	20-1014-3
b.	208-230V/50/60 Hz/1 Ph)	85-0400-3
6	Danfoss Compressor Start Capacitor (Serial Number 110074051 through 110684316)	
a.	115/60/1	85-0577-3
b.	208-230/50-60/1	000000022
7	Danfoss Compressor Start Relay (Serial Number 110074051 through 110684316)	
a.	115/60/1	20-0205-3
b.	208-230/60/1	20-0763-3
c.	220-240/50/1	20-0792-9
8	Danfoss Compressor Run Capacitor (Serial Number 110074051 through 110684316)	
a.	115/60/1	20-1014-3
b.	208-230/50-60/1	20-0949-3
9	Danfoss Compressor Start Capacitor (After Serial Number 110684316)	
a.	115/60/1	85-0577-3
b.	208-230/50-60/1	85-0383-3
10	Danfoss Compressor Start Relay (After Serial Number 110684316)	
a.	115/60/1	20-0205-3
b.	208-230/60/1	20-0792-9
c.	220-240/50/1	20-0792-9
11	Danfoss Compressor Run Capacitor (After Serial Number 110684316)	
a.	115/60/1	20-1014-3
b.	208-230/50-60/1	85-0400-3
12	Refrigeration Service Valve Assembly	83-7326-3
Miscellaneous – Brackets, Screws, etc.		
13	Control Box	76-0214-3
a.	Control Box Cover (Not shown)	76-0215-3
14	P.T.C.R. Compressor Starter Mounting Bracket	85-0502-3
15	Control Board Mounting Supports (Not shown)	43-0225-3
16	Capacitor Mounting Strap	602495-1
17	Screw, #10-24 x .50 Ground	52-0216-9
a.	Star Washer	55-7320-9
18	Screw, #10-24 x .50	52-0206-9
19	Tecumseh Compressor - Control Box Wiring Harness (Before Serial Number 110074051) (Not shown)	
a.	115/60/1	20-0730-9
b.	230/60/1	20-0734-9
c.	230/50/1	20-0735-9
d.	F2 Remote	20-0838-3
20	Danfoss Compressor - Control Box Wiring Harness (After Serial Number 110074051) (Not shown)	
a.	115/60/1	20-0827-3
b.	230/60/1	20-0828-3
c.	230/50/1	20-0828-3
d.	F2 Remote	20-0838-3

S500 EVAPORATOR COMPARTMENT



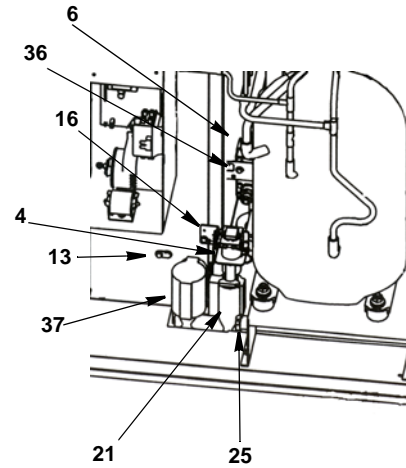
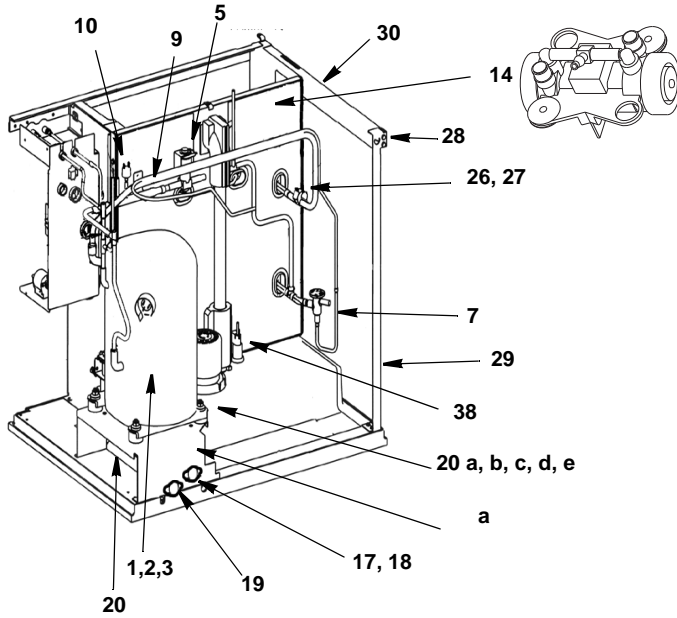
PT1389

PT1390

DESCRIPTION

1	Evaporator Assembly	
	a. Dice Cube	76-0283-9
	b. Half Dice Cube	76-0284-9
	c. Regular Cube	76-0285-9
2	Water Pump	
	a. 115V/60/1 PH	82-5112-9
	b. 230V/60/1 PH	20-0739-9
	c. 230V/50/1 PH	82-5210-9
3	Water Level Probe	20-0654-9
	a. Wire, control box to probe	20-0798-9
4	Ice Thickness Control Probe	20-0802-9
5	Magnetic Bin Switch	20-0681-9
6	Water Curtain	40-1097-9
7	Water Distribution Assembly	76-0219-3
	a. O-Rings (Back of Distribution Assembly)	50-0464-9
8	Water Trough	40-0360-9
9	Evaporator Top Filler Panel	40-0846-9
	a. Filler Panel Bracket	606333-9
	b. Bracket Screw	52-0209-3
10	Access Valve	83-7326-3
11	Evaporator Top Frame Assembly	76-0220-3
12	Water Diverter	76-0221-3
	a. Thumbscrew	53-0512-3
Miscellaneous – Brackets, Screws, etc.		
13	Screw, (Water Distribution Tube Mounting) Each	50-0479-9
	a. O-Ring	50-0462-9
14	Screw, #12-16 x .687 (Used to Mount Evaporator) Each	50-0461-9
15	Water Pump Base O-Ring	50-0465-9
16	Water Pump Outlet O-Ring	50-0467-9
17	Vinyl Tubing 0.625 ID (dump valve to drain adapter)	000001382
	a. Insulation	603883-1

S500 REFRIGERATION COMPARTMENT – COMMON PARTS



DESCRIPTION

PART NO.

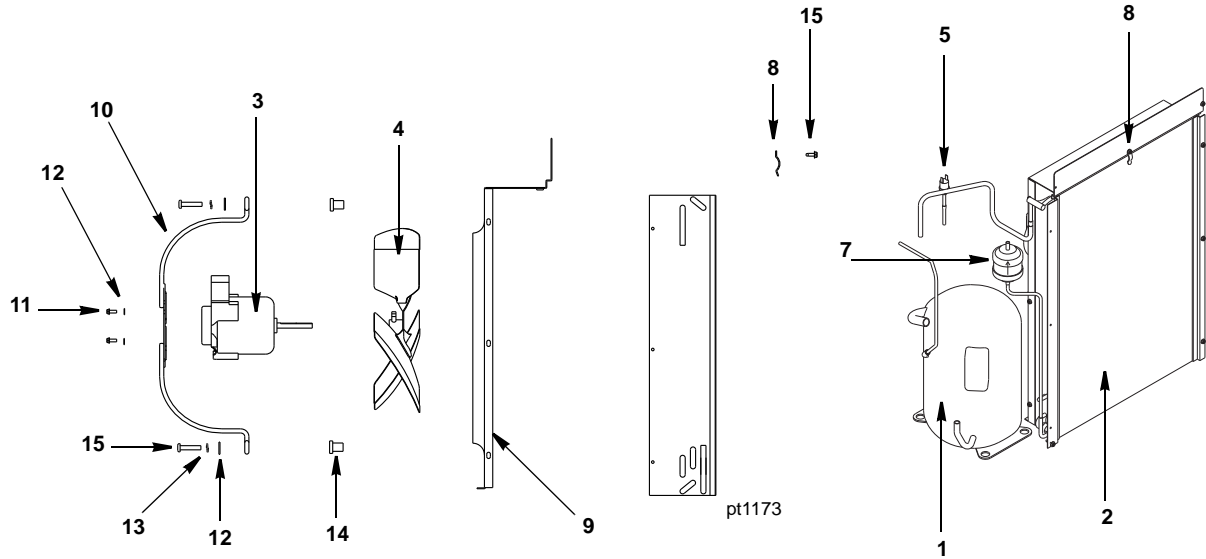
NOTE: Replace a Tecumseh Compressor with a Tecumseh Compressor and a Danfoss Compressor with a Danfoss Compressor.
Do not interchange compressors.

1	Tecumseh Compressor (Before Serial Number 110074051)	
a.	115V/60 Hz/1 Ph.	76-2810-3
b.	208-230V/60 Hz/1 Ph.	76-2812-3
c.	230V/50 Hz/1 Ph.	76-2811-3
2	Danfoss Compressor (Serial Number 110074051 through 110684316)	
a.	115V/60 Hz/1 Ph.	76-0294-3
b.	208-230V/60 Hz/1 Ph.	76-0295-3
c.	230V/50 Hz/1 Ph.	76-0296-3
3	Danfoss Compressor (After Serial Number 110684316)	
a.	115V/60 Hz/1 Ph.	000003919
b.	208-230V/50-60 Hz/1 Ph.	000003920
4	Water Dump Valve	
a.	115V/60 Hz.	000001767
b.	208-230V/50-60 Hz.	000001768
	Dump Valve Rebuild Kit	No Longer Available
5	Harvest Valve Including Electrical Coil	
a.	115V/60 Hz.	76-3002-1
b.	208-230V/50-60 Hz.	76-3008-1
	Harvest Valve Coil Only	
a.	115V/60 Hz.	000005156
b.	208-230V/50-60 Hz.	000005157
6	Water Inlet Valve with Coil	
a.	115V/60 Hz.	000000377
b.	208-230V/50/60 Hz.	000000378
7	Expansion Valve (use with Tecumseh Compressor)	76-0286-9
a.	Expansion Valve Body Insulation Boot	40-0036-3
b.	Expansion Valve Bulb Insulation Boot	40-0720-3
8	Expansion Valve (use with Danfoss Compressor)	76-0158-3
a.	Expansion Valve Body Insulation Boot	40-0036-3
b.	Expansion Valve Bulb Insulation Boot	40-0720-3
9	Manifold Strainer (in front of hot gas valve).	82-5100-3
10	High Pressure Cut-out (Auto Reset)	20-0124-3
11	Electrical Box on Rear of Ice Machine	
a.	Box	Included in Back Panel Assembly
b.	Terminal Block 3 Pole	20-0614-9
c.	Groundscrew #10-24 x .50	52-0216-9
12	Compressor Compartment Wiring Harness	
a.	Water	20-0732-9
b.	Air	20-0731-9
c.	Remote	20-0733-9
13	Bin Switch	20-0681-9
14	Air Assist Pump	
a.	115V	20-0934-3
b.	230V	20-0935-3
c.	Manifold	40-1173-9
d.	Bracket	000001496
15	Air Assist Pump - Wiring Harness	
a.	Air	000002327
b.	Water	000002328
c.	Remote	000002329

Miscellaneous – Brackets, Screws, etc.

16	Dump Valve Mounting Bracket	605845-9
17	Water Inlet Valve Wing Adapter	87-0609-3
18	Water Inlet Valve Wing Adapter Plastic Fitting	13-6096-1
19	Water Drain Female Wing Adapter	87-0608-3
20	Water Drain Clear Tubing, .625 ID x 12 inches	44-2038-3
21	Dump Valve Tubing (3.25 inches)	44-2038-3
22	Tecumseh Compressor Mounting	
	a. Base	606170-9
	b. Rubber Grommet	† 85-0306-9
	c. Sleeve	85-0394-9
	d. Bolt	50-0481-9
	e. Nut	50-0482-9
23	Danfoss Compressor Mounting	
	a. Base	606170-9
	b. Rubber Grommet	† 85-0306-9
	c. Sleeve	85-0394-9
	d. Bolt	50-0481-9
	e. Nut	50-0482-9
24	Compressor Wiring Harness (Not Shown)	20-0855-9
25	Clamp, Water Drain	56-5070-9
26	Clamp, Expansion Valve Bulb	56-5052-9
27	Copper Bulb Strap	30-0083-3
28	Screw, #10-24 x .50	52-0206-9
29	Left Corner Post	606293-1
30	Left Top Channel	606864-9
31	Right Corner Post (Not Shown)	606292-1
32	Right Top Channel (Not Shown)	606257-9
33	Insulated Tube (vinyl tubing from distribution tube to water pump & dump valve)	000003405
	a. Clamp .859/.989 ID	56-5060-3
	b. Clamp .799/.899 ID	56-5070-3
34	Water Inlet Valve Tubing (Not Shown)	40-1043-9
35	Connector (Water inlet valve)	13-6098-9
36	Water Inlet Valve Bracket	605845-9
37	Check Valve Replacement (includes water diverter, vinyl tubing & insulation)	000002473
38	Holder, Water Level Probe	20-0655-9
	a. Screw (mounts Water Level Probe Holder)	52-0206-9

S500 REFRIGERATION COMPARTMENT – AIR-COOLED



DESCRIPTION

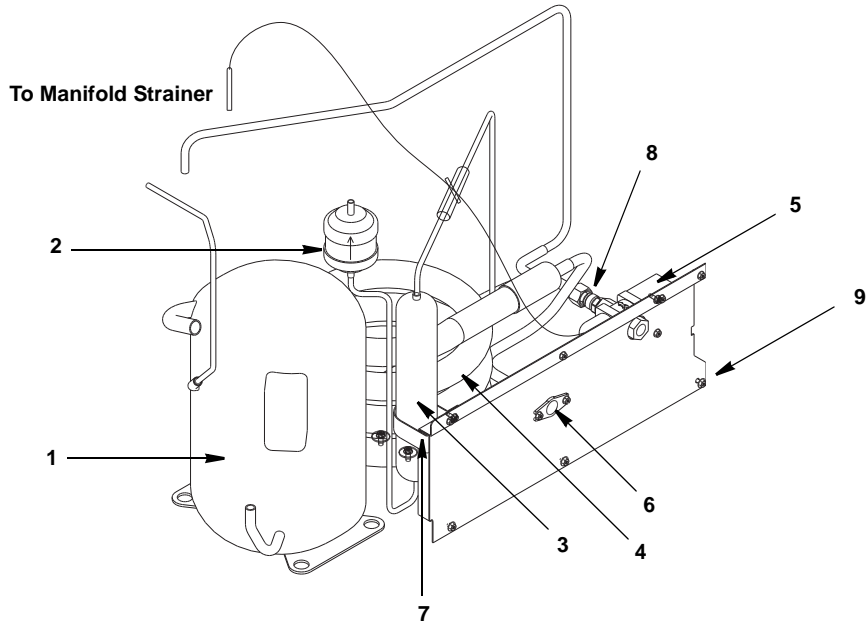
	PART NO.
1 Compressor (Refer to COMMON PARTS Page)	Page S500-4
2 Air Condenser	82-5213-3
3 Fan Motor	
a. 115V/60 Hz	24-1292-9
b. 208-230V/60 Hz or 230V/50 Hz	24-1293-9
4 Fan Blade	24-1620-3
5 Fan Cycling Control	20-0126-3
6 Air Filter (Not shown)	30-0556-9
7 Drier	89-3025-9

Miscellaneous – Brackets, Screws, etc.

8 Air Filter Clip	† 56-5069-9
9 Fan Shroud	605640-9
10 Fan Motor Mounting Bracket	606186-9
11 Fan Motor Mounting Screw	50-3238-9
12 Fan Bracket Mounting Lockwasher	† 55-4510-9
13 Fan Bracket Mounting Flatwasher	† 55-7305-9
14 Fan Bracket Mounting Rubber Wellnut	† 54-2955-9
15 Screw, #10-24 x .50	50-3238-9

† Refer to Cross Reference Guide

S500 REFRIGERATION COMPARTMENT – WATER-COOLED



pt1200

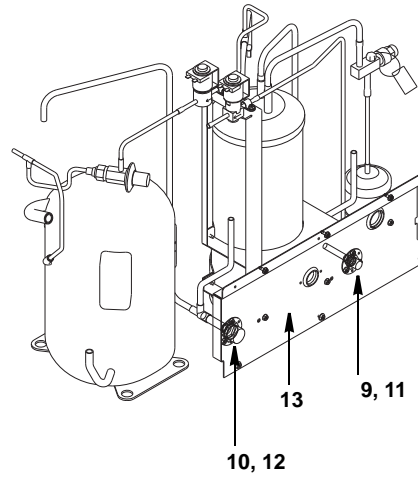
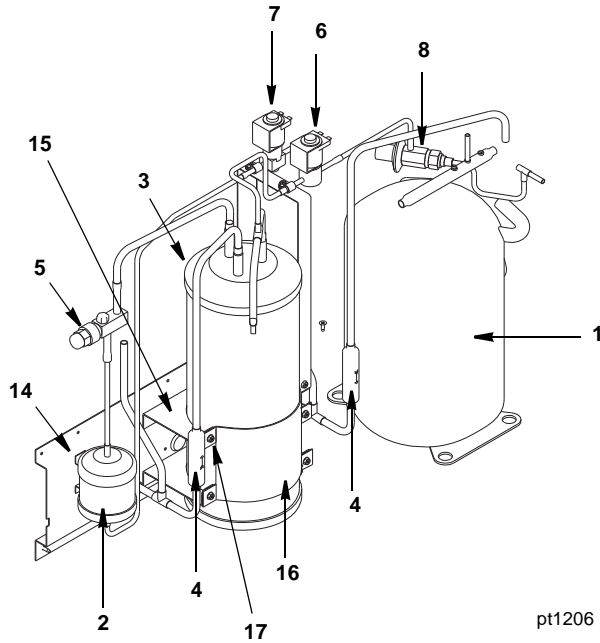
DESCRIPTION

	PART NO.
1 Compressor (Refer to COMMON PARTS Page)	Page S500-4
2 Drier	89-3025-9
3 Receiver	12-0003-1
4 Water-cooled Condenser	88-6533-3
5 Water Regulating Valve	83-7206-9
6 Water Drain Female Wing Adapter	87-0608-3

Miscellaneous – Brackets, Screws, etc.

7 Receiver Strap	600054-1
8 Elbow .50 MF x .375 MPT	50-0224-9
9 Screw, #10-24 x .50	52-0206-3
10 Washer (mount water condenser)	55-7341-9
11 Base, Water Condenser/Receiver	605865-9

S500 REFRIGERATION COMPARTMENT – REMOTE

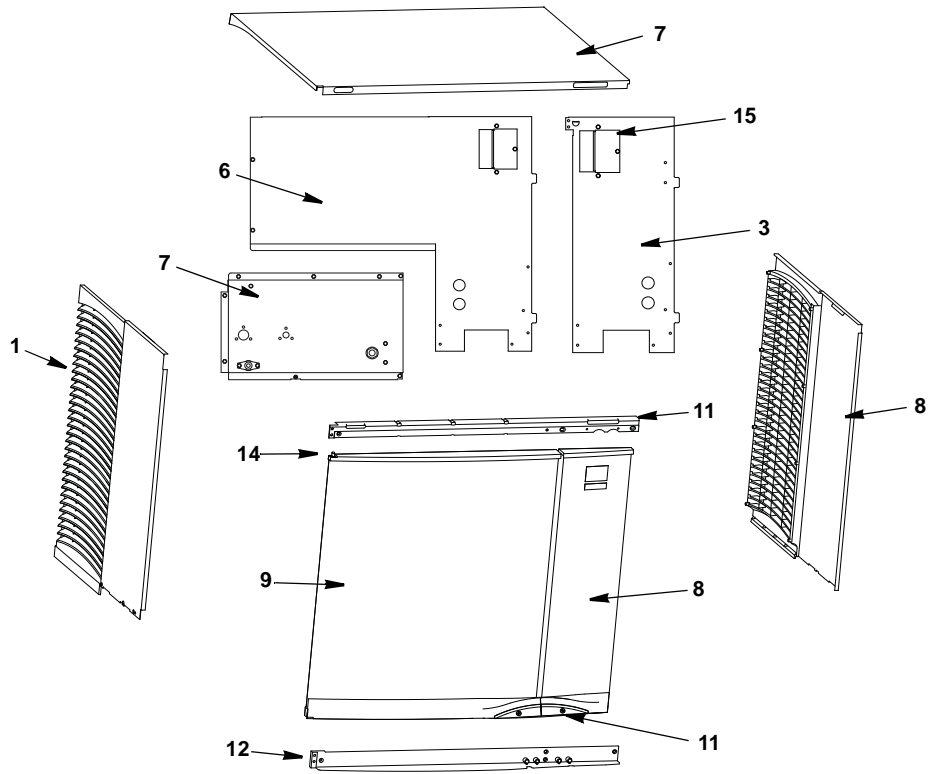


DESCRIPTION

	PART NO.
1 Compressor (Refer to COMMON PARTS)	Page S500-4
2 Drier	89-3027-9
3 Receiver	82-5058-3
4 Magni-Check Valve.	† 83-7314-9
5 Refrigeration Service Valve	† 83-7316-9
a. Cap for Refrigeration Service Valve	56-5075-9
6 Harvest Pressure Regulating Solenoid (HPR) Valve	
a. HPR Valve Including 115V 60 Hz Electrical Coil (Danfoss)	76-3000-1
b. HPR Valve 115V 60 Hz Coil Only Danfoss	000005156
c. HPR Valve Including 208/230V 50/60 Hz Electrical Coil (Danfoss).	† 76-3006-1
d. HPR Valve 208/230V 50/60 Hz Coil Only Danfoss	000005157
7 Liquid Line Solenoid (LLS) Valve	
a. LLS Valve Including 115V 60 Hz Electrical Coil (Danfoss)	76-3000-1
b. LLS Valve 115V 60 Hz Coil Only Danfoss	000005156
c. LLS Valve Including 208/230V 50/60 Hz Electrical Coil (Danfoss)	† 76-3008-1
d. LLS Valve 208/230V 50/60 Hz Coil Only Danfoss.	000005157
8 Harvest Pressure Regulating Valve (HPR)	† 83-6779-3
9 Coupling – Male, 5/8-18	† 83-6034-3
10 Coupling – Male, 1-1/6-12	† 83-6035-3
Miscellaneous – Brackets, Screws, etc.	
11 Coupling Mounting Flange for 5/8-18	83-6005-3
12 Coupling Mounting Flange for 1-1/16-12	83-6006-3
13 Back Panel	606173-9
14 Drier Support Bracket	56-5061-9
15 Receiver Mounting Bracket.	606303-9
16 Receiver Mounting Strap	606314-9
17 Screw, #10-24 x .50	† 52-0206-9
18 Base (Receiver Mounting)	606304-9

† Refer to Cross Reference Guide

S500 PANELS



DESCRIPTION

- 1 Left Side Panel
- 2 Right Side Panel

Air-Cooled Back Panels)

- 3 Back Panel with Electrical Connection Box, Air-cooled Models
- 4 Air Filter (Not Shown)
- 5 Air Baffle (Not Shown)

Water-Cooled & Remote Air-Cooled Back Panels)

- 6 Back Panel with Electrical Connection Box
- 7 Back Coupling Panel, Water Connections

Aluminum Front Top Support on machine (replace all)

- 8 Top Cover
- 9 Right Door
- 10 Left Door
- 11 Front Top Rail
- Mounting Screw Left Side 8-32 x 1
- Mounting Screw Right Side 10-24 x .50

Plastic Front Top Support on machine (replace as needed)

- 7 Top Cover
- 8 Right Door
- 9 Left Door
- 10 Front Top Rail
- Mounting Screw Left Side 8-32 x 1
- Mounting Screw Right Side 10-24 x .50

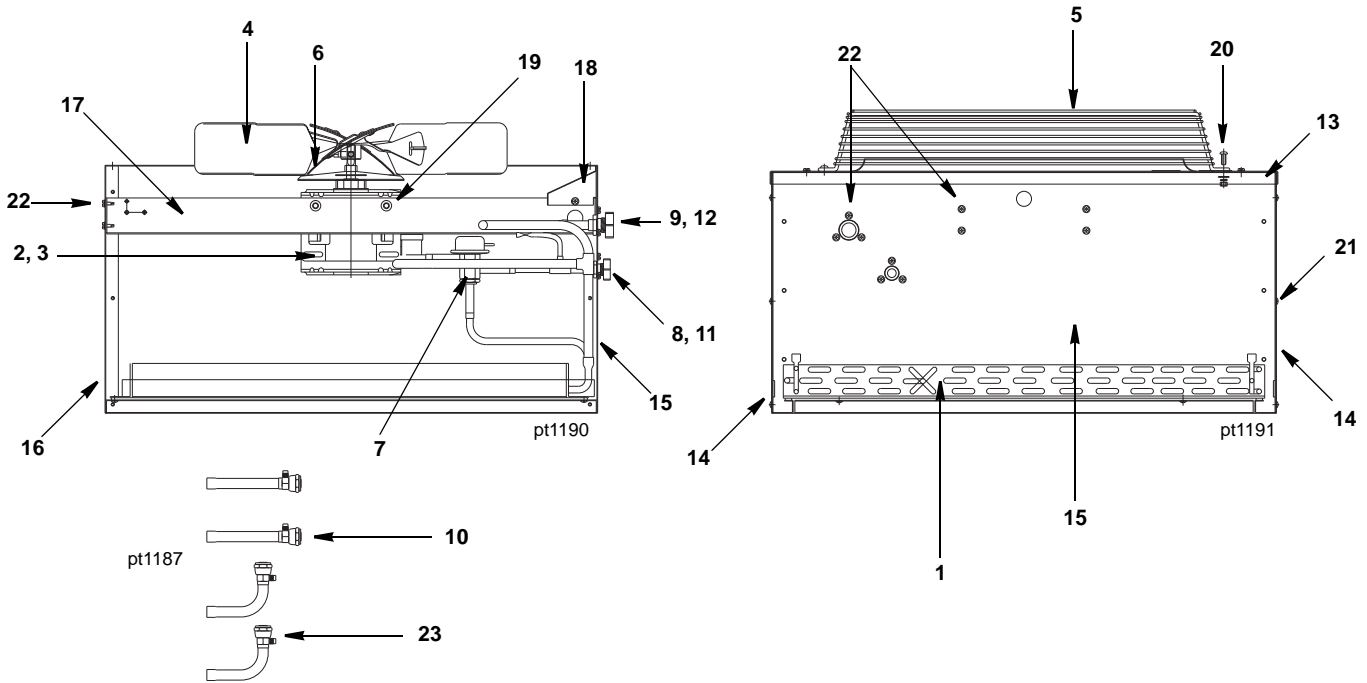
Miscellaneous – Brackets, Screws, etc.

- 11 Right/Left Door Screw
- 12 Bottom Door Frame (Not Shown)
- a. Mounting Screw Left Side 8-32 x 1
- b. Mounting Screw Right Side 10 x 24 x .50 PHIL
- 13 Door Catch Bracket (RHD)
- a. Mounting Screw 8-32 x .50 Phil
- 14 Left Door Pivot Leaf Hinge (Top or Bottom)
- a. Mounting Screw 10-24 x .5 TCS-23 PHIL/FL
- 15 Electrical Connection Box Cover
- 16 Sachet Holder (Not Shown - Inside Left Door)
- a. Mounting Screws 8-32 x 3/8
- 17 Top Air Discharge Kit Option (replaces standard top and side panels to discharge air out of top of machine)
- a. Top Cover Only
- b. Left Side Panel Only
- c. Right Side Panel Only
- d. Screws 10-24 x 1/2

PART NO.

- 606053-1
- 606052-1
- 606296-9
- 30-0556-3
- 606077-9
- 606605-9
- 606173-9
- 40-1548-3
- 607166-1
- 607165-1
- 000000295
- 50-0537-9
- 50-0509-9
- 40-1548-3
- 607166-1
- 607165-1
- 000000295
- 50-0537-9
- 50-0509-9
- 50-0489-9
- 76-0226-3
- 50-0537-9
- 52-0206-9
- 606236-9
- 50-2624-9
- 30-0557-9
- 50-0537-9
- Included in Back Panel Assembly
- 40-0459-3
- 50-0479-9
- K00379
- 000000480
- 606675-1
- 606676-1
- 52-0209-9

JC0495 REMOTE CONDENSER



DESCRIPTION

	PART NO.
1 Air Condenser	† 88-5063-9
2 Fan Motor (115V/60 Hz/1 Ph)	† 76-2942-3
3 Fan Motor Run Capacitor	No Longer Available
4 Fan Blade	24-1611-3
5 Fan Guard	34-0064-3
6 Rain Slinger	24-1505-3
7 Head Pressure Control	000004070
8 Coupling – Male, 5/8-18	† 83-6034-3
9 Coupling – Male, 1-1/6-12	† 83-6035-3
10 Female Line Set Coupling Kit (Sold as Finished Goods Sales Kit)	Sales K0129

Miscellaneous – Brackets, Screws, etc.

11 Coupling Mounting Flange (for 5/8-18)	83-6005-3
12 Coupling Mounting Flange (for 1-1/16-12)	83-6006-3
13 Top Cover	† 601775-1
14 Panel – Side	† 601774-1
15 Panel – Rear	† 601773-1
16 Panel – Front	† 601772-1
17 Fan Motor Mounting Bracket	† 601768-1
18 Electrical Box Cover	† 601776-1
19 Fan Motor Mounting Screw (5/16-18 x 5/8)	† 50-3565-9
a. Fan Motor Mounting Flatwasher	† 55-7309-9
b. Fan Motor Mounting Lockwasher	† 55-7313-9
c. Fan Motor Mounting Hexnut	54-2975-9
20 Fan Guard Mounting Screw (1/4-20 x 5/8)	† 50-3345-9
a. Fan Guard Mounting Flatwasher	† 55-7304-9
b. Fan Guard Mounting Lockwasher	† 55-4511-9
c. Fan Guard Mounting Hexnut	† 54-2952-9
21 Panel/Condenser Mounting Screw (#8 x 1/2)	† 51-2153-9
a. Panel/Condenser Mounting Lockwasher	† 55-4459-9
22 Screw (#10-24 x 1/2)	† 52-0206-9
23 Valve Cores (used in linesets)	76-2684-3

† Refer to Cross Reference Guide